



A WORK OF ART POWERED BY AIR.®



[www.vacumelevators.eu](http://www.vacumelevators.eu)



## AROUND THE WORLD

Afghanistan · Albania · Algeria · Andorra · Angola · Antigua and Barbuda · Argentina · Armenia · Australia · Austria · Azerbaijan · Bahamas · Bahrain · Bangladesh · Barbados · Belarus · Belgium · Belize · Bolivia · Bosnia&Herzegovina · Brazil · Bulgaria · Côte d'Ivoire · Cambodia · Cameroon · Canada · Chile · China · Colombia · Costa Rica · Croatia · Cyprus · Czech Republic · Denmark · Dominican Republic · Ecuador · Egypt · El Salvador · Finland · France · Georgia · Germany · Ghana · Greece · Guatemala · Honduras · Hungary · India · Indonesia · Iran · Iraq · Ireland · Israel · Italy · Jamaica · Japan · Jordan · Kenya · Kuwait · Latvia · Lebanon · Lithuania · Luxembourg · Malaysia · Malta · Mauritius · Mexico · Monaco · Mongolia · Morocco · Myanmar · Netherlands · New Zealand · Nicaragua · Nigeria · Norway · Oman · Pakistan · Panama · Paraguay · Peru · Philippines · Poland · Portugal · Qatar · Romania · Russia · Saint Kitts and Nevis · Saint Lucia · Saint Vincent and the Grenadines · Saudi Arabia · Seychelles · Singapore · Slovenia · South Africa · South Korea · Spain · Sri Lanka · Suriname · Sweden · Switzerland · Thailand · Trinidad and Tobago · Tunisia · Turkey · Uganda · Ukraine · United Arab Emirates · United Kingdom · United States of America · Uruguay · Venezuela · Vietnam

5	THE COMPANY
6	OUR TECHNOLOGY
8	ADVANTAGES
12	MODELS
14	CUSTOMIZATION
16	CONFIGURATION
20	INSTALLATION
22	NEW DEVELOPMENTS
23	PVE'S RANGE

# BIG IDEAS ARE ONES THAT REVOLUTIONIZE THE WORLD

Human beings have always asked themselves how to take things further. The answer lies within ourselves: **by innovating.**

In 2002, in Miami, USA, **PVE Pneumatic Vacuum Elevators®** was born – a company with a clear vision, **to create a new concept for a lift** that is simple, functional and aesthetically pleasing and that improves quality of life in homes all around the world: the **PVE pneumatic vacuum lift.**

It's a solution that has revolutionised the industry thanks to its **Vacuum technology** and its design.

It's such a simple lift to install in any home, just like any other electronic household appliance, and requires a **minimal amount of space.**

Customizable and efficient, it adapts to any space, improving quality of life and standing out as **a work of art.**



# AN INNOVATIVE SYSTEM

PVE lifts are the only ones in the world that work by using one of the most abundant natural resources: air.

### What advantages does Vacuum technology offer?

Its innovative design optimizes the use of space, **maximizing the cabin's useful interior** and doing away with the need for a machine room.

**Installation is possible without the need for a pit or building work.** It's the only lift that's installed **directly onto your home's existing floor.**

Installed in as little as **two to three days**, it's the **quickest installation on the market.**

**Light and with no limitations**, it's possible for it to be installed on upper floors and for it to reach anything up to **five stops or 15 metres in distance.**

It's available in **three different sizes** with a passenger capacity of **one, two and three**, respectively.



### System of operation of the vacuum lift

1. During the ascent, the system extracts air, creating a vacuum that makes the car go upwards.
2. For the descent, the intake of air is controlled, causing the car to move downwards smoothly without consuming electricity.

The Vacuum technology simplifies the operation and reduces wear and tear of components: a smooth, safe, reliable and durable system.



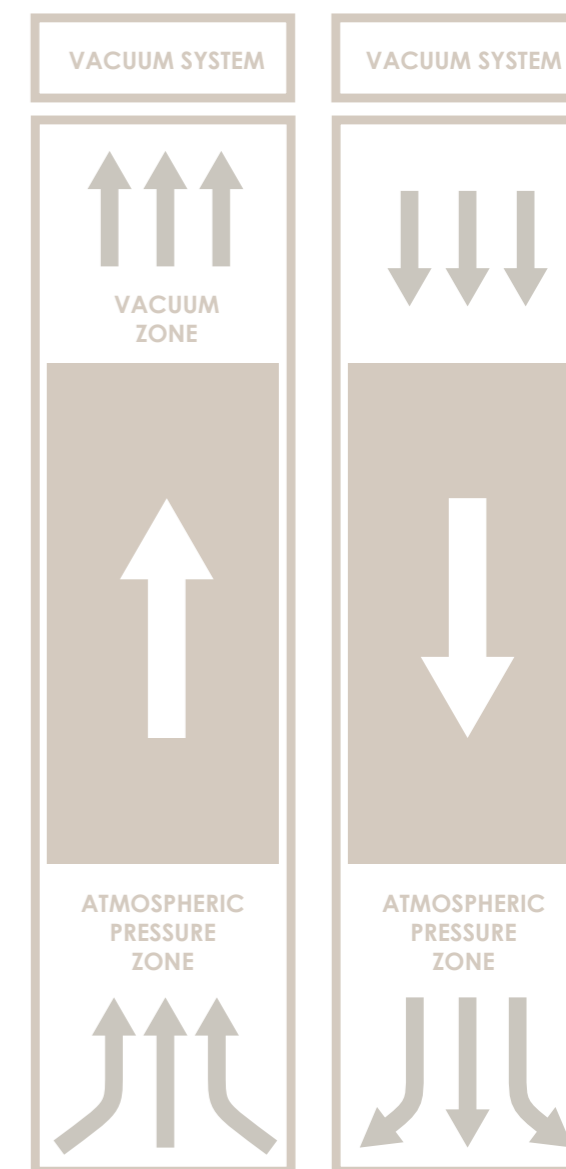
The pneumatic lift is a self-supporting circular structure that is installed directly onto the floor of the home.

Unlike traditional lifts, the pneumatic lift is self-supporting and self contained, consisting of three main sections:

Fully panoramic **exterior cylinder**

A **car** that travels on the inside and transports passengers

A **vacuum system** that contains the motor and is available in two different configurations





## DESIGN

At PVE, we view the manufacture of lifts as an **art form**. We have created models in which design and technology go together to make the perfect combination, which is reflected in each and every one of our products.

Every detail of our **PVE lifts** has been designed with the aim and focus of offering a solution to the habitability and installation problems that are encountered in **single-family homes and duplex apartments**.

A versatile solution that fits into even the tightest of spaces, installing it **requires no complicated construction works**.

A revolutionary **all-in-one** design, it comprises a self-supporting structure with the motor built in and a completely transparent **360° panoramic car**.



# REMOVE THE BARRIERS IN YOUR HOME

## SAFETY

PVE pneumatic vacuum lifts are approved by the prestigious **Liflinstituut**, the world's leading lift certification organization.

Holding **US and European Certifications**, PVE maintains the highest safety rating in home lifts, meeting if not exceeding all safety requirements.

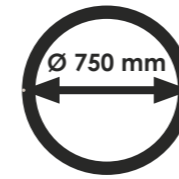
## WELL-BEING

We are committed to excellence and innovation and we strive for your well-being, advising you on your project to offer you the best option that ensures full accessibility in your home.

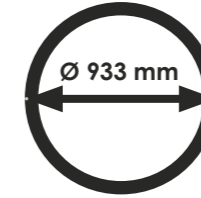
Our goal is to provide the best quality of life for all members of the family.

# MODELS

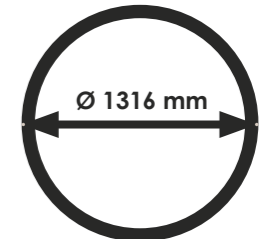
## PVE30



## PVE37



## PVE52



General	PVE30	PVE37	PVE52
Maximum load (kg)	159	205	238
Speed	<0.15 m/s	<0.15 m/s	<0.15 m/s
Number of stops	2 to 5	2 to 5	2 to 5
Maximum distance (m)	15	15	15
<b>Car</b>			
Inside diameter (mm)	640	820	1210
Doorway width (mm)	508	521	813
One-touch automatic touch	Yes	Yes	Yes
Accessible in a wheelchair	No	Yes, with a reduced-width wheelchair	Yes
<b>Doors</b>			
Available entrances	0°	0°, 90°, 270° and 180°	0° and 180°
Possibility of an automatic door	No	Yes	Yes
<b>Safety</b>			
Power failure automatic descent	Yes	Yes	Yes
Alarm button/safety telephone	Yes	Yes	Yes
<b>Electricity</b>			
Supply	220 V/20 A	220 V/25 A	220 V/32 A
Power	3 kW	5 kW	6 kW
<b>Installation requirements</b>			
Perforation diameter (mm)	810	990	1389
Minimum height on upper floor (mm)	2450	2450	2450

### ALL OUR MODELS INCLUDE:

Telephone, LED Lighting, Automatic Ventilation  
 CE marking according to Machinery Directive 2006/42/EC  
 ISO 9001

Two-year guarantee

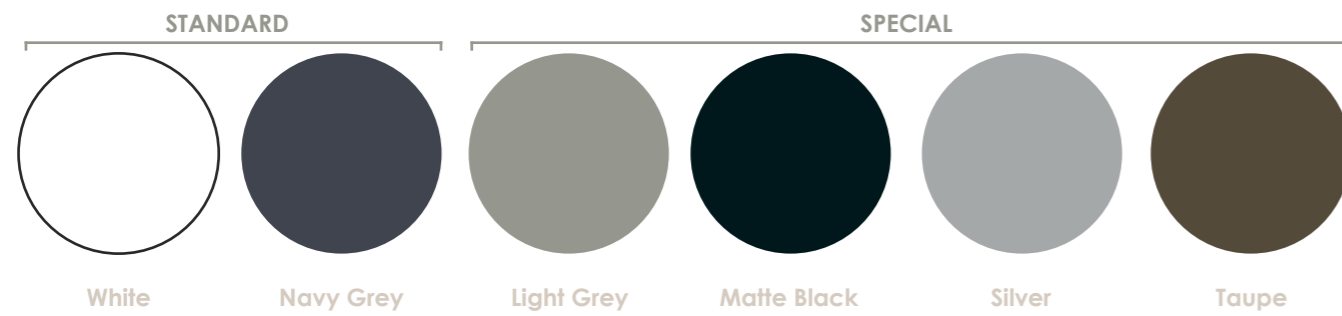
**SMALL ON THE  
 OUTSIDE BIG ON  
 THE INSIDE**

Image courtesy of  
 www.heartlandstairways.com  
 manufacturer of spiral staircases

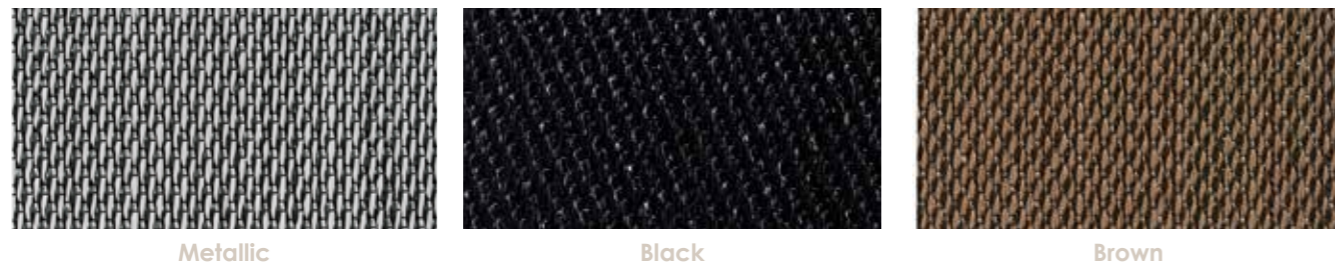
We are aware that every home is unique and we understand that you might want to choose every detail so that your PVE pneumatic lift can be adapted to and aesthetically fit in with the characteristics and decorations of your home.

For this reason, we offer a customization range that allows you to choose among a wide variety of colours and finishes.

### STRUCTURE COLOURS

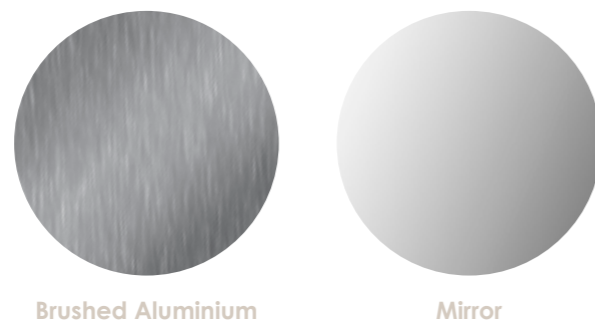


### FLOOR OF THE CABIN



High-durability PVE vinyl carpet

### CABIN CEILING FINISHES



\*Talk to your PVE sales representative for special off-catalogue customisations of colour and finishes.

# A LIFT THAT SHINES IN ITS OWN RIGHT

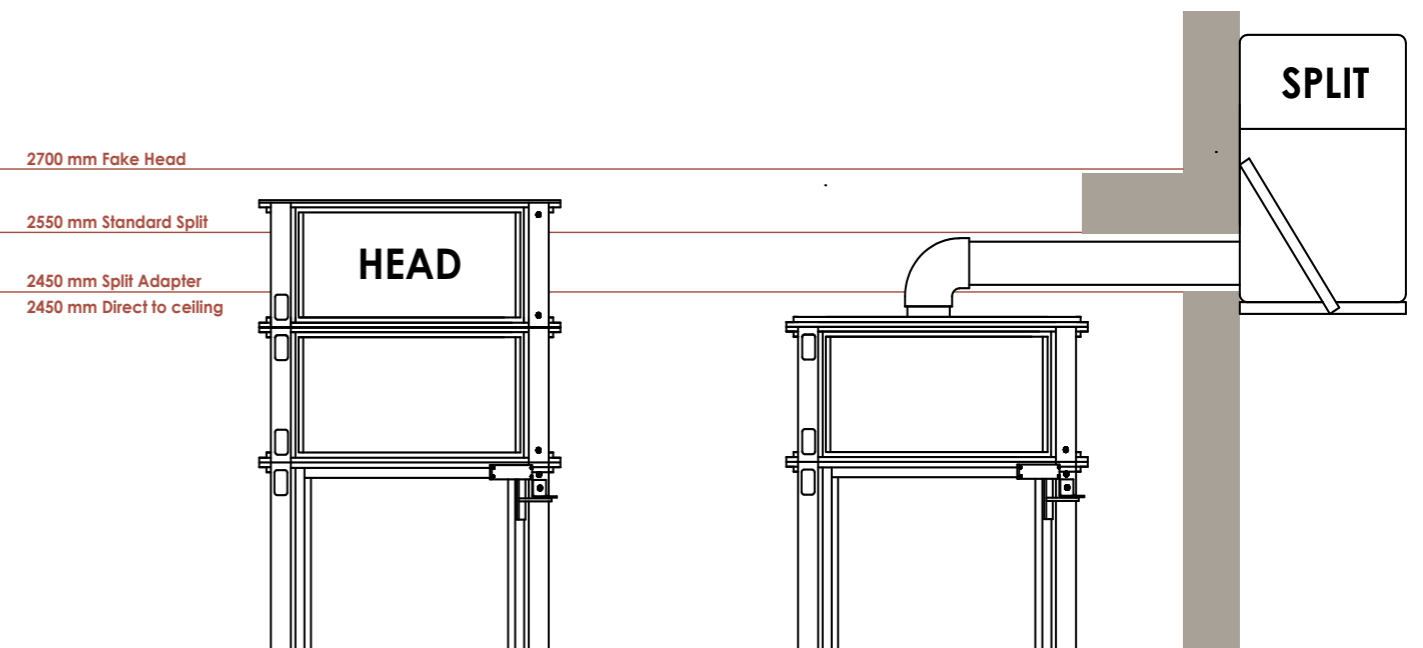
The one thing that matters to us is EVERYTHING. To be involved in every detail, day after day, establishing PVE as the very essence of a job well done.

We live in an ever-changing world and the best way for us to adapt is by evolving with it through continuous innovation, both in our products and in our services.



# HEAD OR SPLIT

Depending on the available height in your home, we have different installation options available:



## HEAD CONFIGURATION

This is a more aesthetically pleasing and simpler solution, in which the vacuum system is located directly at the top of the upper-floor module.

It's the simplest solution in terms of installation. It simply needs to be plugged in to the 220v mains.

### MINIMUM HEIGHT ON THE UPPER FLOOR

2700 mm

## SPLIT CONFIGURATION

This configuration allows for the vacuum system to be positioned anywhere in the home, by connecting piping with Ø110-mm PVC tubes to the lift.

The main advantage is that it reduces the minimum height required on the top floor and it takes away the sound of the vacuum system.

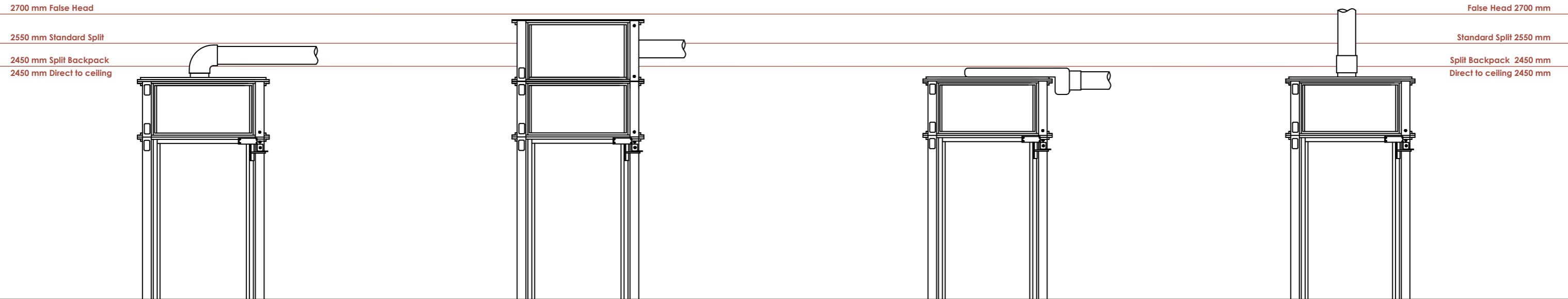
We offer four different installation options depending on the available height:

- Standard Split configuration with a 90° elbow joint
- Fake Head configuration
- Split Side Adapter configuration
- Vertical Direct Split configuration

You can find the options in more detail on the next page.

**THE INCREDIBLE  
DESIGN THAT  
ADAPTS TO YOUR  
HOME**

# SPLIT CONFIGURATION OPTIONS



## STANDARD SPLIT

Standard installation of the split configuration, making use of elbow joints for joining the tubes and the top of the cylinder

The electrical control panel needs to be located inside the residence.

### ADVANTAGES

Reduction of noise in relation to the head configuration

Customizable positioning of the vacuum system

### MINIMUM HEIGHT ON UPPER FLOOR

2550 mm

Total approximate height of the cylinder 2350mm. Pipes seen.

## FAKE HEAD

Similar installation to the Standard Split but covered with an extension of the cylinder that conceals the PVC tubes' exit

It allows for the installation of the electrical control panel inside it, avoiding the need for wiring and supplementary works for installing them.

### ADVANTAGES

Better aesthetic finish

Reduction of sound in relation to the head configuration

### MINIMUM HEIGHT ON UPPER FLOOR

2700 mm

Total approximate height of the cylinder 2650mm.

## SPLIT SIDE ADAPTER

An installation piece that allows the PVC tubes to be connected horizontally, avoiding the need for elbow joints and reducing the minimum height required

The electrical control panel must be located inside the residence.

### ADVANTAGES

Minimal overhead distance (free height on the upper floor)

Reduction of sound in relation to the head configuration

Customizable positioning of the vacuum system and electrical control panel

### MINIMUM HEIGHT ON UPPER FLOOR

2450 mm

Total approximate height of the cylinder 2350mm. Pipes seen.

## DIRECT VERTICAL

Installation of PVC tube(s) in a direct vertical position through the ceiling. As such, it's only a viable option if the home allows for a hole to be made in the ceiling.

The electrical control panel must be located inside the residence.

### ADVANTAGES

Minimal overhead distance (free height on the upper floor)

Reduction of sound in relation to the head configuration

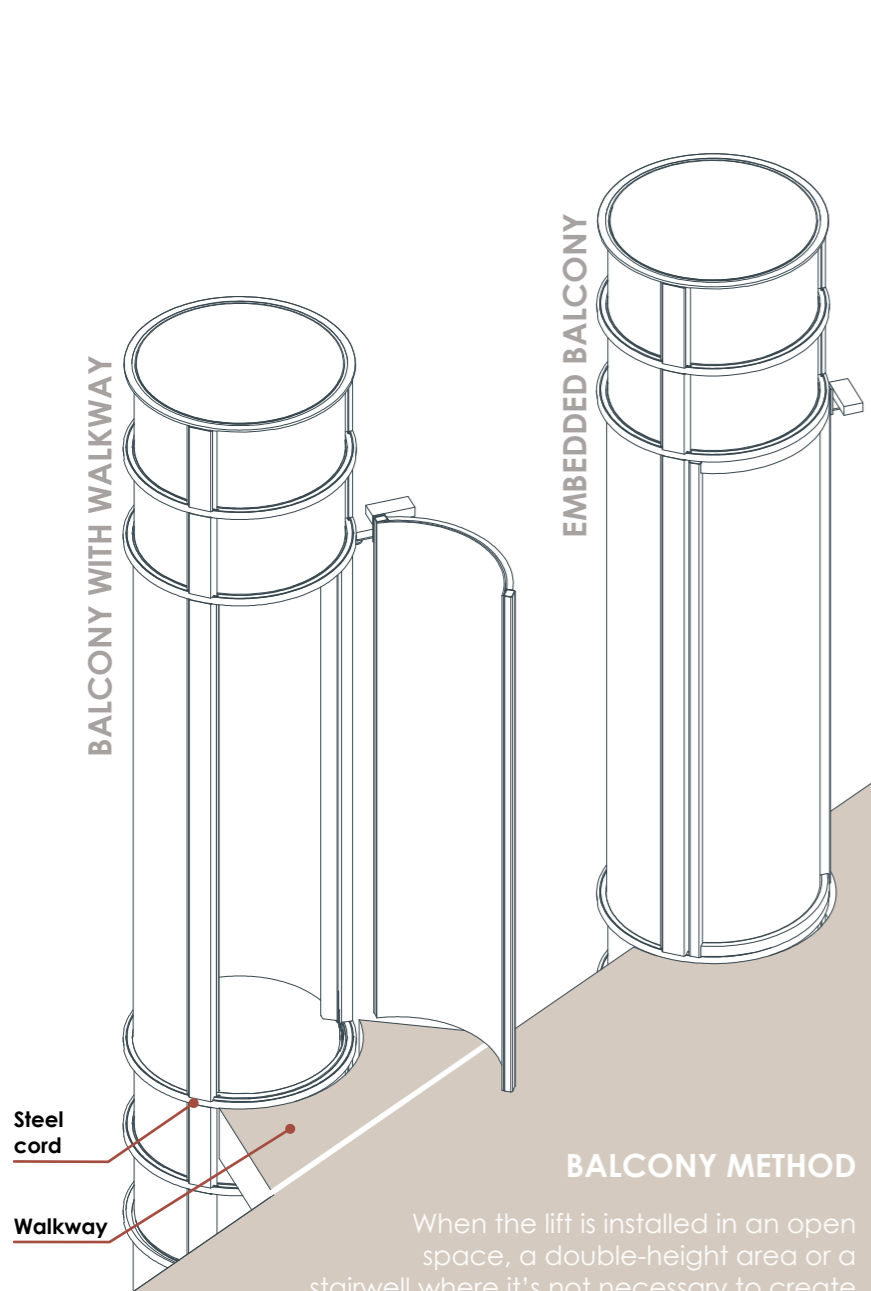
Customizable positioning of the vacuum system and electrical control panel

### MINIMUM HEIGHT ON UPPER FLOOR

2450 mm

Total approximate height of the cylinder 2350mm. Pipes seen.

# INSTALLATION OPTIONS



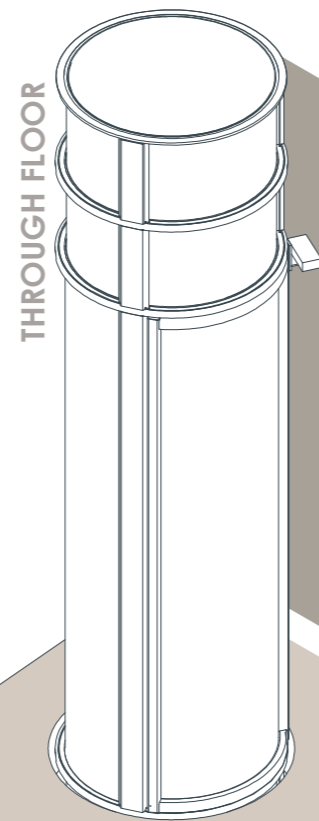
Steel cord  
Walkway

### BALCONY METHOD

When the lift is installed in an open space, a double-height area or a stairwell where it's not necessary to create a hole

It's characterised by its simplicity and speed of installation.

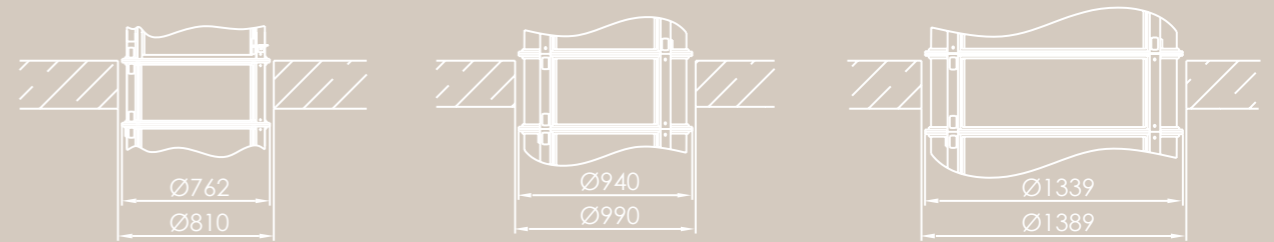
It's necessary to install a **platform for getting out or a walkway** (not provided), the purpose of which being to cover the space between the lift and the floor and to provide stability for attaching the structure on each floor by means of a **steel cord** used as a belt (provided by the installer).



THROUGH FLOOR

### THROUGH FLOOR

A hole is made on each floor with a finished diameter 50 mm greater than the exterior diameter of the lift. In lifts with three, four or five stops, the holes must be aligned.



Minimum diameters for holes in through-floor installations

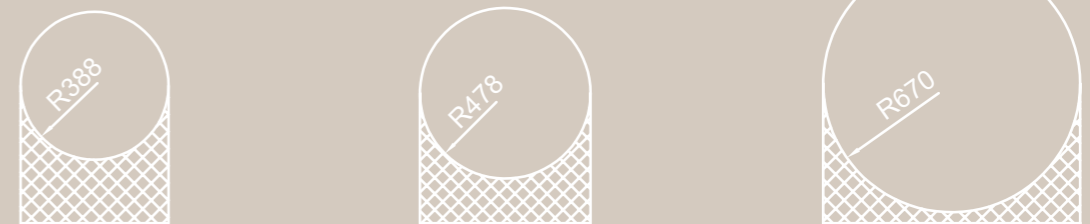
### TYPES OF WALKWAY

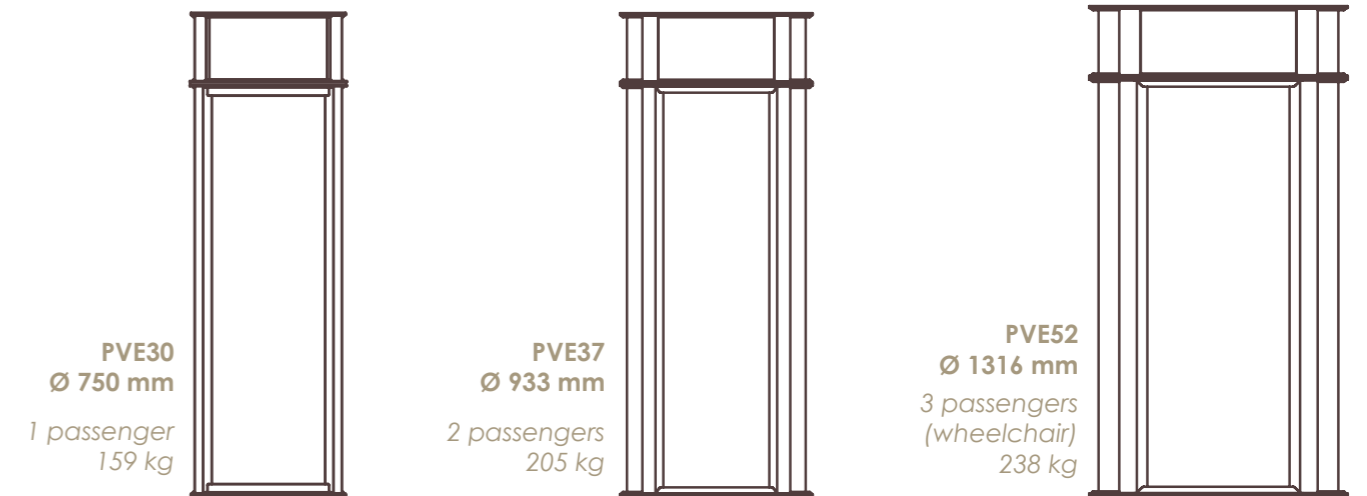
Different configurations for a transitional platform or walkway



### BALCONY PLANS

The transitional platform is a connecting piece between the lift and the floor. The main purpose is to prevent any vacancy between the circular shaft and floor, and creating a nice finish between the finished floor and lift. The finish work is to be done by others and can be done in a number of different configurations and styles.





- 360° panoramic
- Unique design
- Customisable finishes
- Pitless installation
- Vacuum lifts
- Quick installation (2-3 days)
- Eco-friendly product
- Maximum safety
- Minimal maintenance
- Plug&Play Voltage at 220v

# NEW DEVELOPMENTS

## SMART HOME

100% compatible with Google Home and Alexa devices, allowing voice control



## INSTALLATION IN BOATS AND YACHTS

Thanks to the lightness of the materials used, the simplicity of the installation and the pitless design, PVE lifts are the best option for installation in your yacht or boat.

## COMMITTING TO SUSTAINABILITY

At PVE, we care about the environment and we're committed to sustainability. As a result, we have developed an exclusive solar-power supply system for your lift.



All of our lifts have **CE certification** according to the **European Machinery Directive 2006/42/EC**.

In 2019, PVE obtained **ISO 9001 certification**, with a focus on an ongoing improvement and quality assurance process.

**The winner** for two years in a row (2018 and 2019) of the **Ellies Awards prize as best manufacturer of single-family lifts in the world**, awarded by the industry's most influential professional media outlet, the magazine **Elevator World**.





## USA

12602 NW 115th Avenue  
33178, Miami, FL  
USA  
(+1) 305 884 1091  
[www.vacuumelevators.com](http://www.vacuumelevators.com)  
[info@vacuumelevators.com](mailto:info@vacuumelevators.com)



## EUROPE

C/ Primavera 19  
28850, Madrid  
Spain  
(+34) 918 867 539  
[www.vacuumelevators.eu](http://www.vacuumelevators.eu)  
[info@vacuumelevators.eu](mailto:info@vacuumelevators.eu)